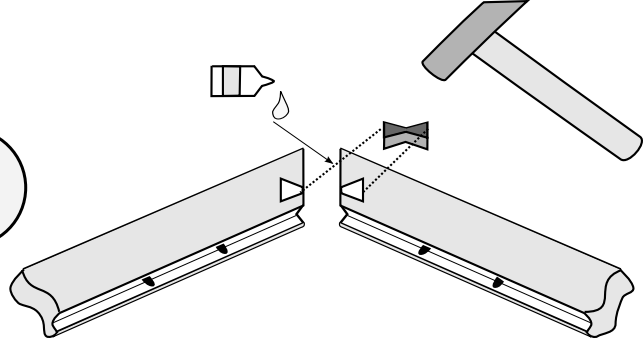


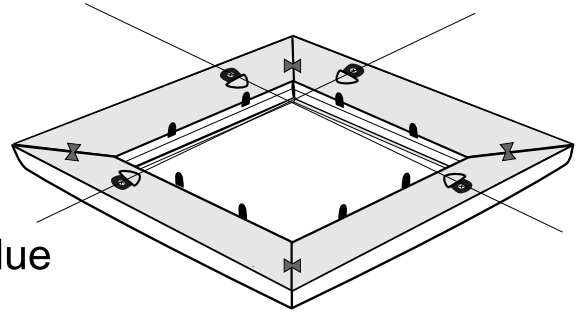
Connect the parts of the frame.  
Lubricate the ends with glue.  
Secure the corners with butterfly  
shaped retainer and hammer them in  
special slots.

1



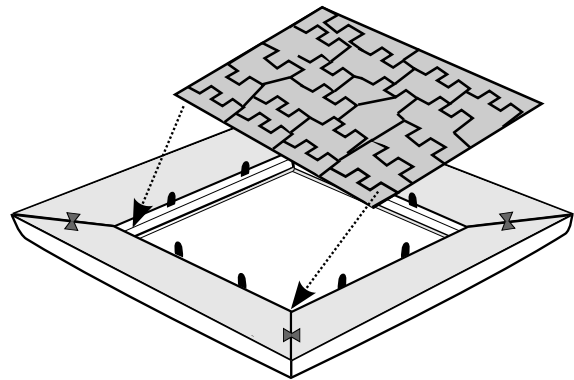
Please note!!!

- fixings are located,  
as in the drawing,  
- the puzzle must be held together with glue  
for puzzles (or other ways),  
so that it doesn't bend.



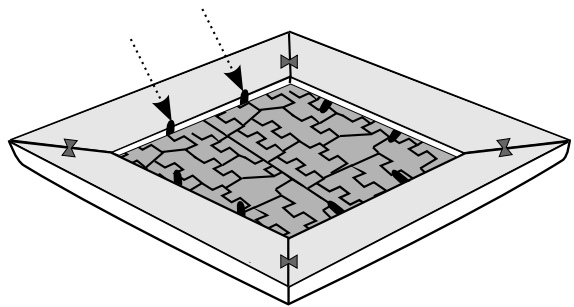
Unbend the  
metal clips. Place the picture  
in to the frame.

2



Fix the picture by bending  
the metal clips.

3



Tie a cord of suitable length  
to an appropriate fixing  
on the frame.

4

